






Windpost Site Survey Sheet

1. Windpost Type

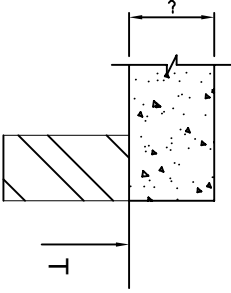
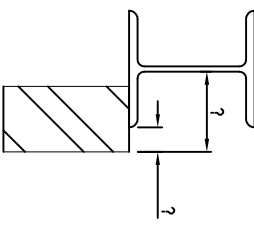
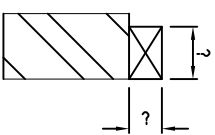

 
 
 
 
 Other

2. Section Size

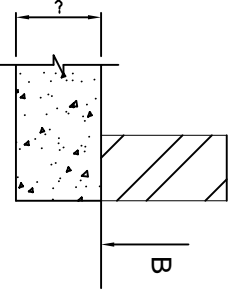
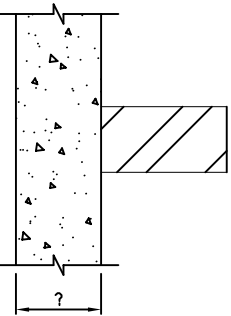
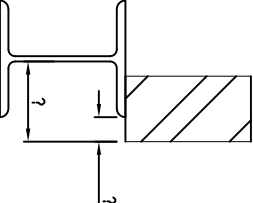
3. Qty

4. Length/Height (B-T)

5. Top Connection

Concrete 
 Steel 
 Timber Wall Plate 

6. Base Connection

Concrete Beam 
 Concrete 
 Steel 

Unit 1, Channel Commercial Park
 Queen's Road
 Belfast
 BT3 9DT
 Tele: +44(0)28 90 450 464
 Fax: +44(0)28 90 459 140

Contact: _____

Company: _____

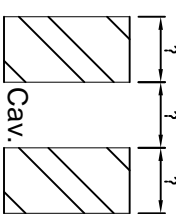
Project: _____

Tel: _____

Fax: _____

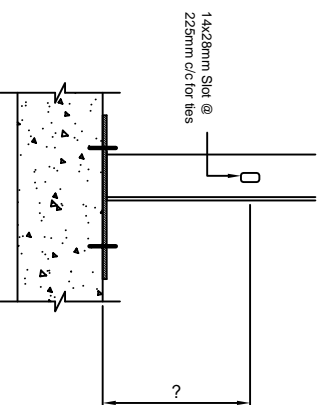
Order No. _____

7. Block and Cavity Widths



 Inner Leaf _____ mm
 Cavity _____ mm
 Block/Brick _____ mm

8. Slot Dim.



 Dimension from base plate to first slot

14x28mm Slot @ 225mm c/c for ties

This document was created with Win2PDF available at <http://www.win2pdf.com>.
The unregistered version of Win2PDF is for evaluation or non-commercial use only.
This page will not be added after purchasing Win2PDF.