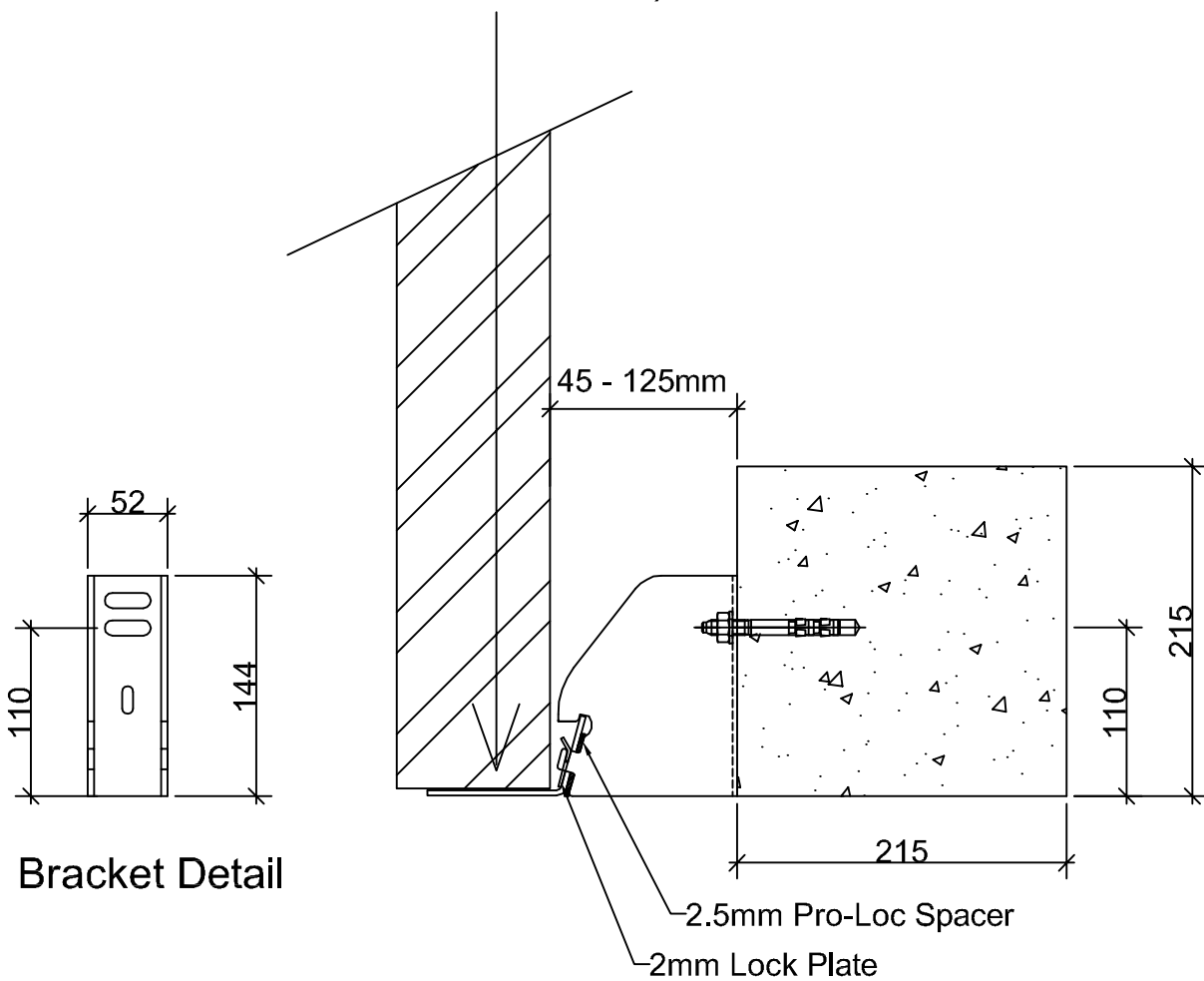


**wmb** Unit 1, Channel Commercial Park  
 Queen's Road  
 Belfast                      Tele: +44 (0) 28 90 450 464  
 BT3 9DT                      Fax: +44 (0) 28 90 459 140

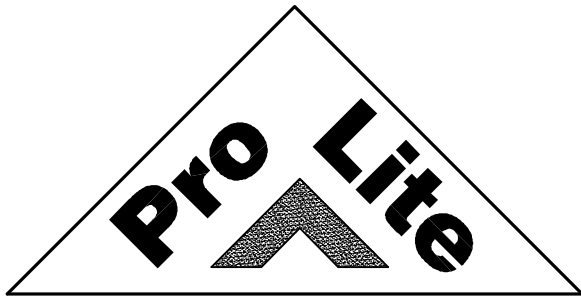
**Ref: Pro-Lite Mk III**

6.44kN/m  
 (3.0m Brick  
 or 2.5m R/Block)



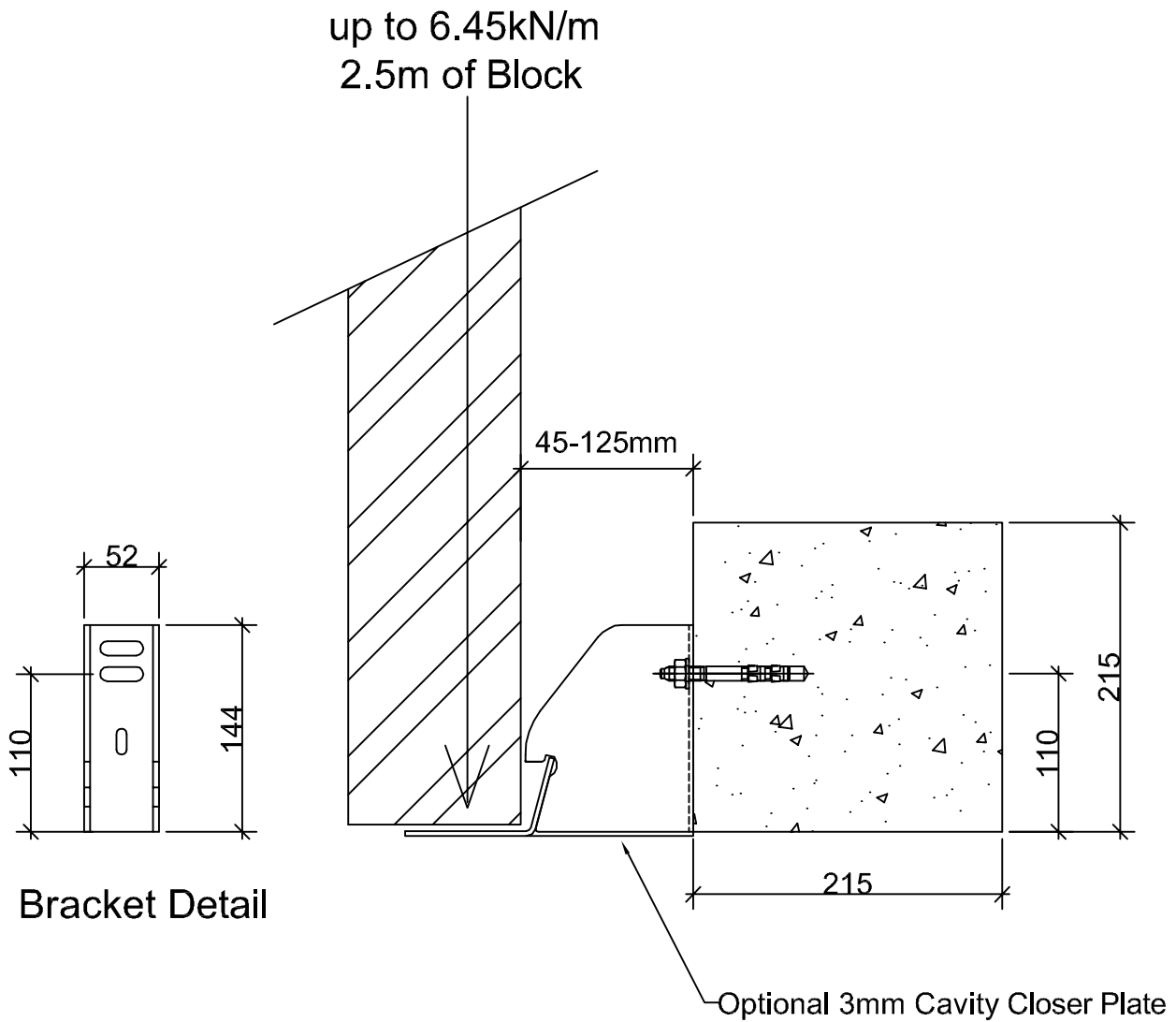
**Support angle cleat:** 88x55x3.5mm CFA (G304)  
**Minimum bearing:** 70mm  
**Bolts:** M10 Upat EXA Express Anchors @ 600mm c/c

<b>Project:</b>	<b>For the Attention of:</b>				
<b>Title:</b> Masonry Relieving Angle 40mm -125mm Cavity	<b>Drawn. by:</b>	<b>Date:</b>	<b>Chkd by:</b>	<b>Scales:</b>	<b>Drawing No.:</b>
	CB		MB	NTS	



**wmb** Unit 1, Channel Commercial Park  
 Queen's Road  
 Belfast                      Tele: +44 (0) 28 90 450 464  
 BT3 9DT                      Fax: +44 (0) 28 90 459 140

**Ref: (Pro-Lite 44)**



**Support angle cleat:** 88x55x4mm CFA (G304)  
**Minimum bearing:** 70mm  
**Bolts:** M10 Upat EXA Express Anchors @ 600mm c/c

<b>Project:</b>	<b>For the Attention of:</b>				
<b>Title:</b> Masonry Relieving Angle 45 - 125mm Cavity	<b>Drawn. by:</b>	<b>Date:</b>	<b>Chkd by:</b>	<b>Scales:</b>	<b>Drawing No.:</b>
	CB		MB	NTS	